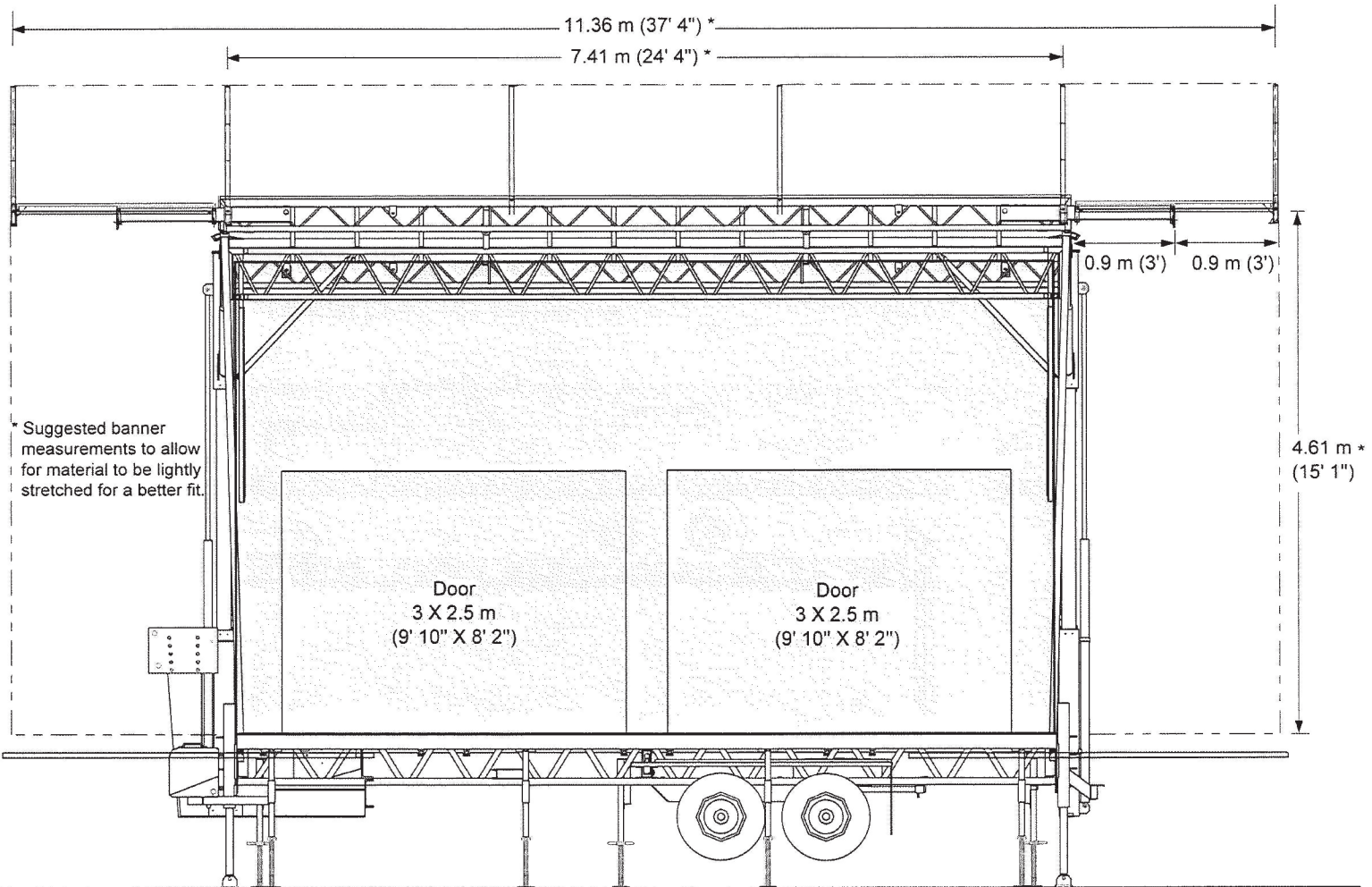
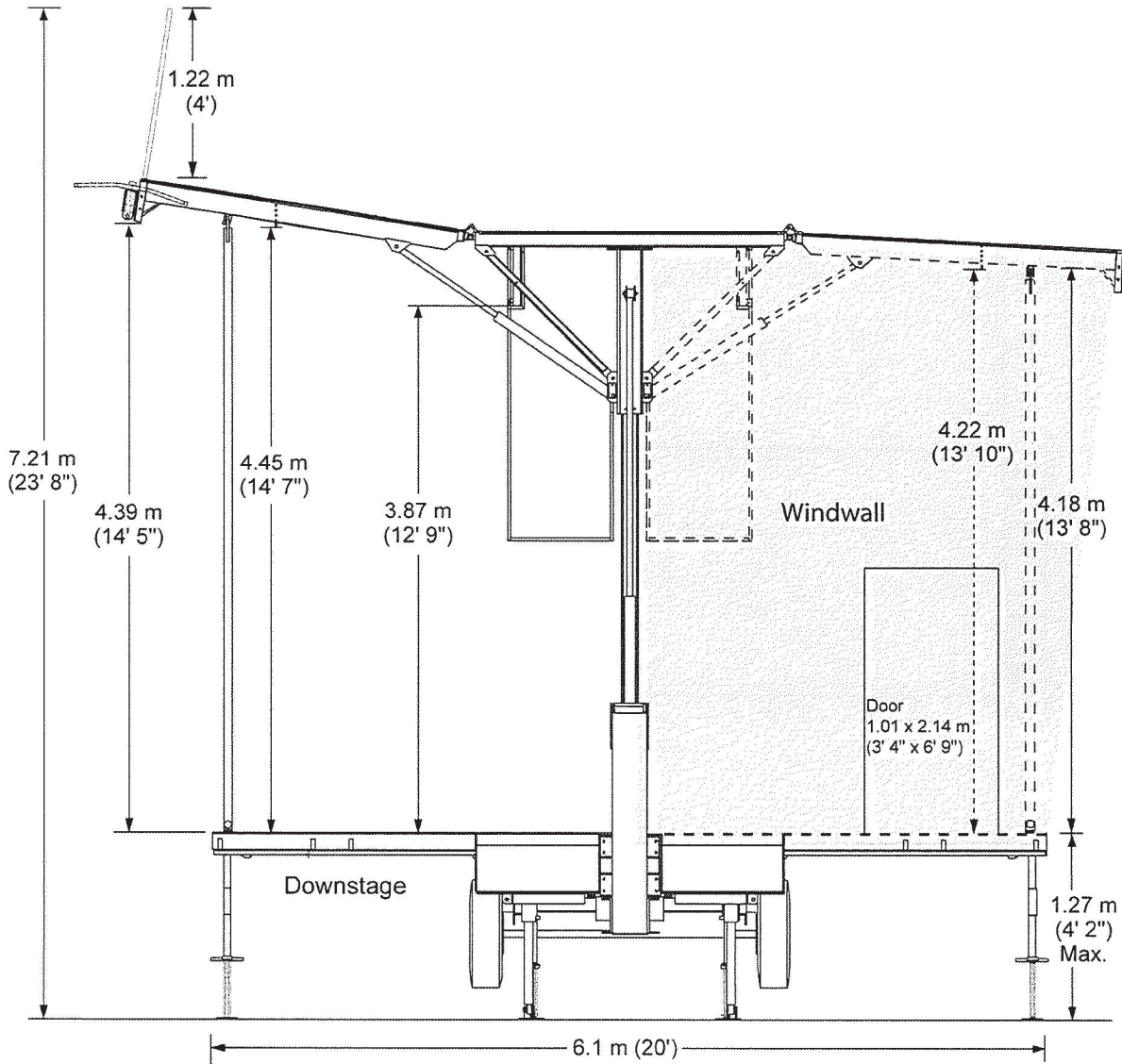
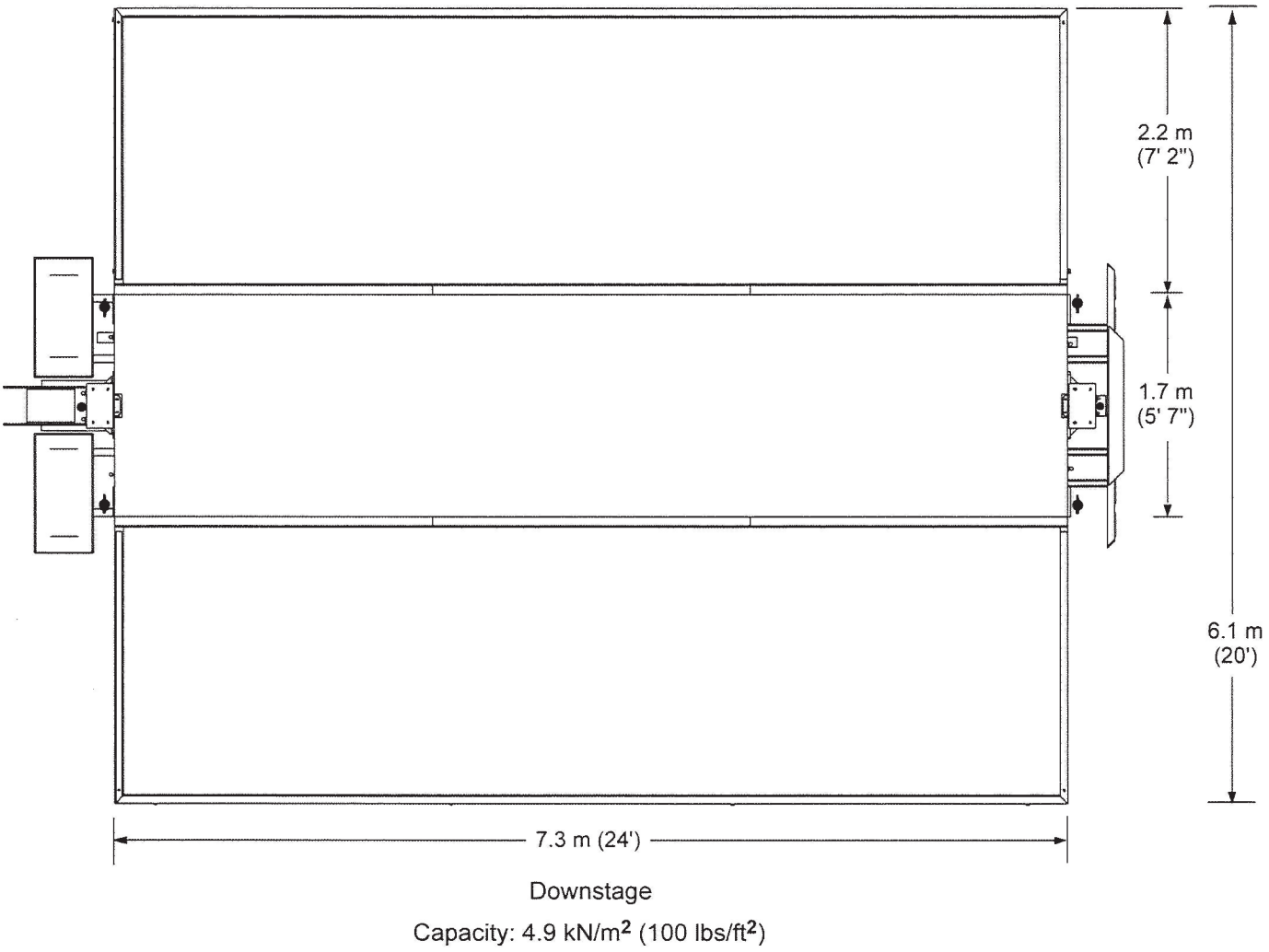


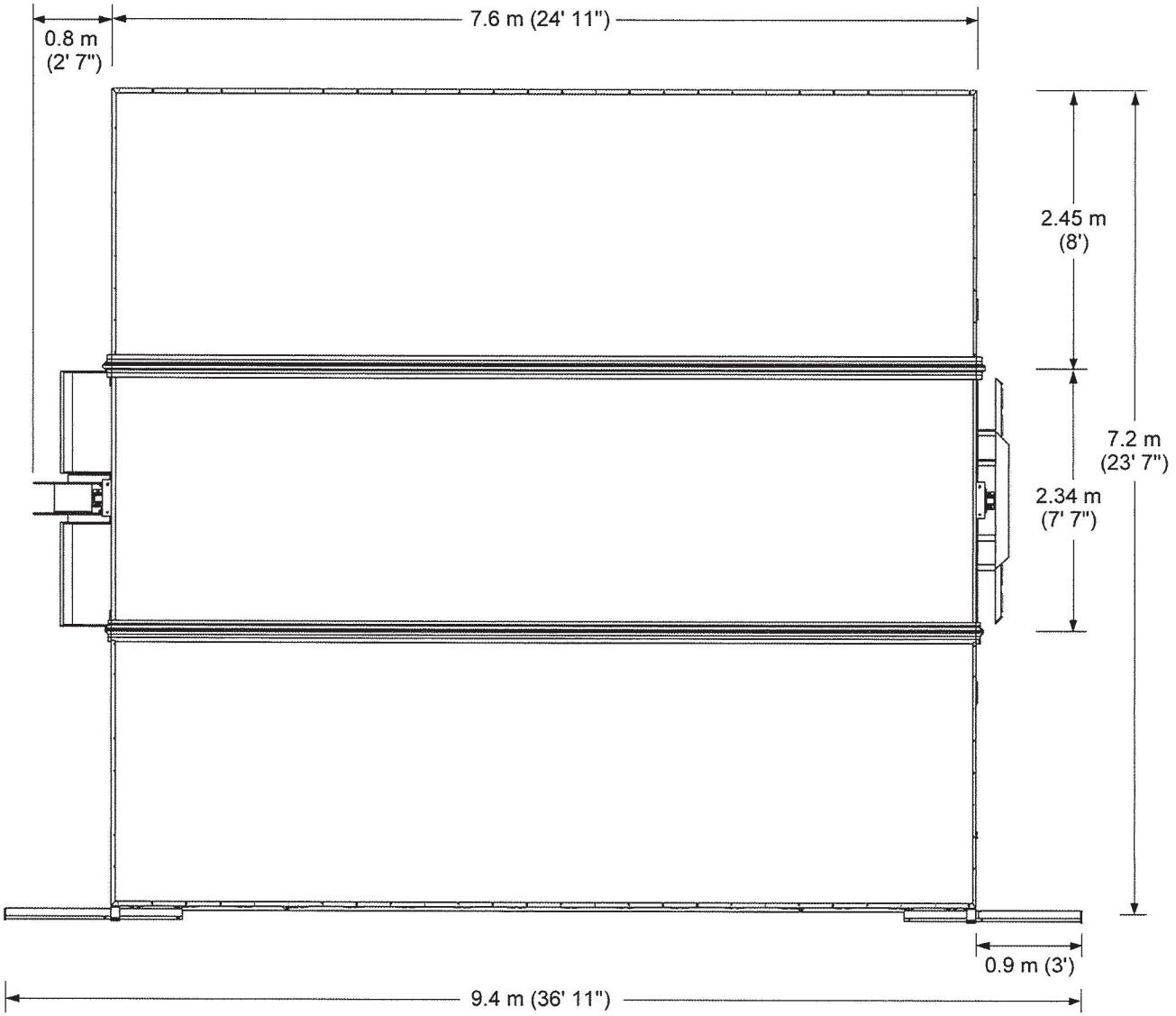
Weight		Kg	Lbs
Gross Weight	(unladen)	4100	9040
Gross Weight	(laden)	5910	13030
Weight on Axles	(laden)	4550	10030
Weight at Hitch	(laden)	1360	3000

8.1 Trailer Mass and Dimensions









8.5 Roof View

**STAGE
LINE**
SL 100

A thorough understanding of the inter-related loadings shown in this rigging plan is needed in order to safely use this mobile stage roof and to take full advantage of the many rigging opportunities it offers.

This mobile stage roof offers a variety of rigging options with regard to load capacity, placement and type.

There are a rigging pipe, trusses, roof rigging points and side overhang rigging beams.

This rigging plan locates and defines these rigging features, includes load capacity for each and describes maximum combinations of loads amongst features.

Take note of exclusions, maximum sub-totals in a group, load balance requirements, maximum lifting capacity of roof and maximum rigging load on roof.

MAXIMUM ROOF LIFTING CAPACITY: 1725 kg (3800 lbs)

LIFTING RESTRICTIONS

Total load on T2 and P12s must not exceed 227 kg (500 lbs) when using downstage P11s.

Total load on T2 and P12s can be increased to 380 kg (850 lbs) if not using downstage P11s.

MAXIMUM LOAD BEARING CAPACITY: 2175 kg (5400 lbs)*

* With all 4 corner posts installed and telescopic columns pinned.

RIGGING RESTRICTIONS

Use both P1s, P2s, P3s, P4s or P5 alone.

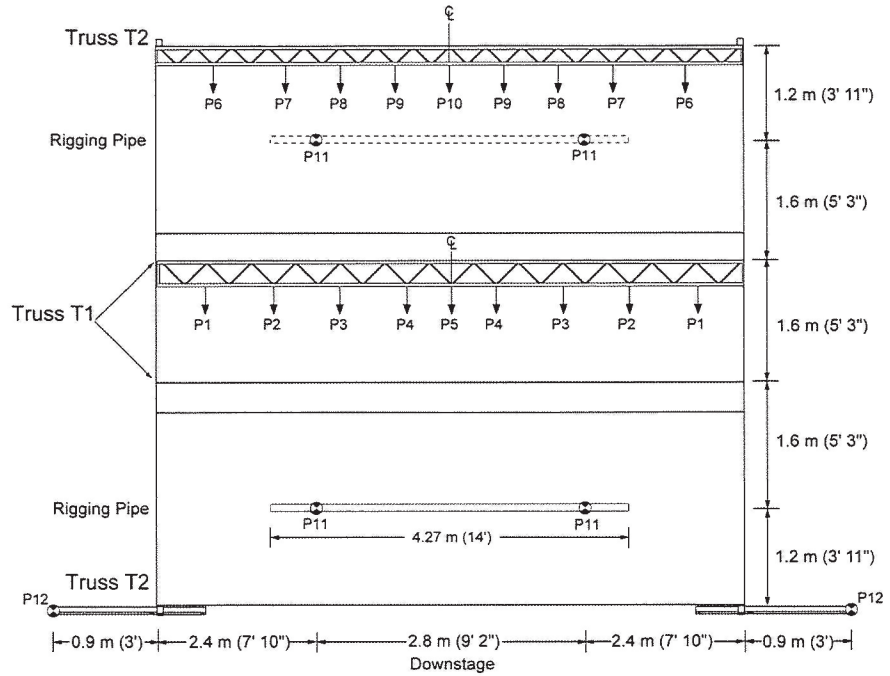
Use both P6s, P7s, P8s, P9s or P10 alone.

Do not load more than 320 kg (700 lbs) on each truss T1.

Do not load more than 30 kg per linear meter (45 lbs per lin. ft) on rigging pipe.

** Loads on P12s can be increased to 364 kg (800 lbs) once all corner posts have been installed.

All loads should be evenly distributed.



MAXIMUM LOAD CAPACITY		
Point No.	Kg	Lbs
P12 **	190	425
P1, P2, P3 & P11	160	350
P4, P5, P6, P7 & P8	115	250
P9 & P10	80	175

